

# ARBOGA

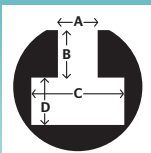


## A 3008

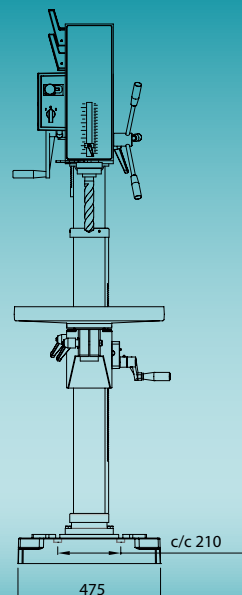
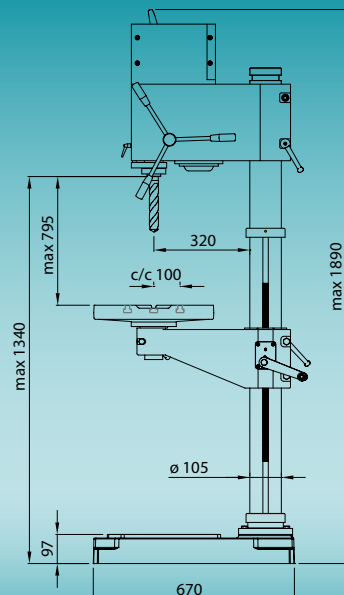
|  |              | 50Hz |   | 60Hz                                       |  |
|--|--------------|------|---|--|--|
|  | Ø 30 / 32 mm |      | 75-160<br>265-535<br>440-890<br>1480-3010 | 90-190<br>320-640<br>530-1060<br>1790-3610 |  |
|  | 150 mm       |      | 0,90/1,20 kW                              | 1,10/1,50 kW                               |  |
|  | M18 / M22    |      |   |  |  |
|  | MK 3         |      |   |  |  |
|  | 500 x 400 mm |      |   |  |  |



260



A 14,5 +/- 0,8 mm  
B 13 mm  
C 26 mm  
D 12 mm



**MSC**  
Machinery  
Scandinavia

# Tillbehör A 3008

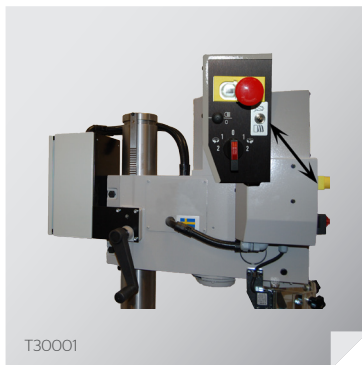
Spare parts/Zubehör



T25095



T25000



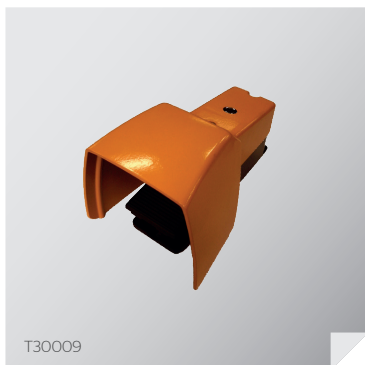
T30001



T25003



T30006



T30009



T30010



T30016



T30017



T25021



T35023



T25U42



T30040 0-13 mm



T30041 3-16 mm



TFARGO

**MSC**   
**Machinery  
Scandinavia**

Machinery Scandinavia AB  
570 83 Rosenfors, Sweden  
Tel +46 495 49 700  
Fax + 46 495 207 30  
E-mail: [sales@mscab.se](mailto:sales@mscab.se)  
[www.arbogamachinery.com](http://www.arbogamachinery.com)